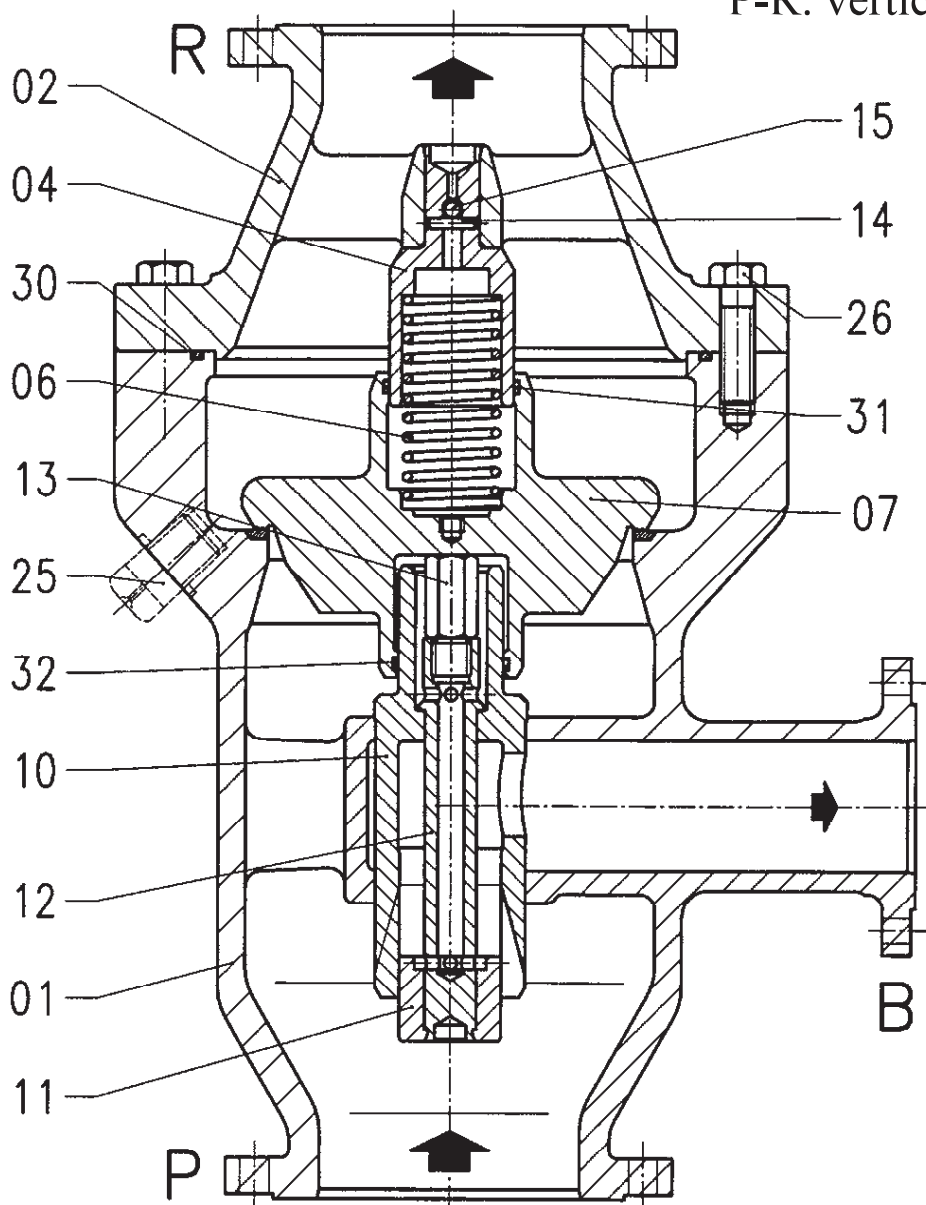


– SUL –

10.1. Dessin global de la coupe

P = Côté pompe
R = Côté tuyauterie
B = Côté by-pass

POSITION DE MONTAGE
P-R: verticale



10.2. Matériaux/ Pièces détachées – SUL –

Pos.	Description	Standard - materials		Recommended Spare parts
		CS	SS	
01	Body	1.0619	1.4408	
02	Bonnet	1.0619	1.4408	
04	Guide bushing	1.4301	1.4301	
06	Spring	1.4310	1.4310	X
07	Disc	1.4404	1.4404	
10	Vortex bushing	1.4542	1.4542	} X
11	Control bushing	1.4122	1.4122	
12	Stem	1.4122	1.4122	
13	Adjustment bold	1.4301	1.4301	
14	Pin	1.4301	1.4301	
15	Ball	1.4301	1.4301	
25	Drain plug	1.4571	1.4571	
26	Hex. screw	1.7709	1.4571	
30	O-Ring	1)	1)	} X
31	Turcite B-Ring	PTFE	PTFE	
32	Turcite B-Ring	PTFE	PTFE	

1) EPDM, BUNA, VITON, PTFE, FLUORAZ, CHEMRAZ

Notes
